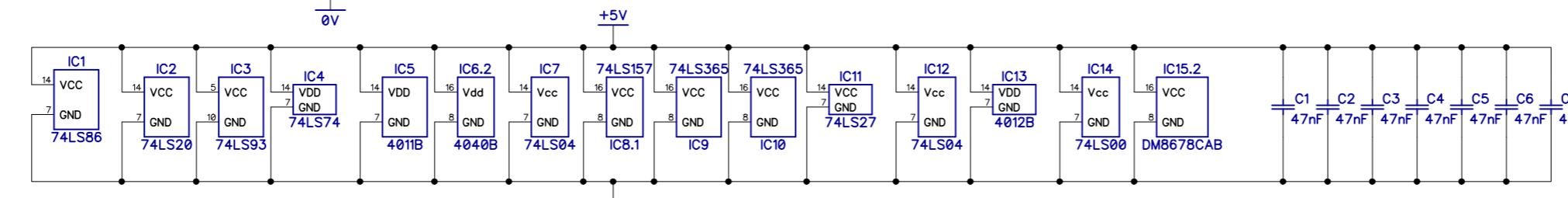
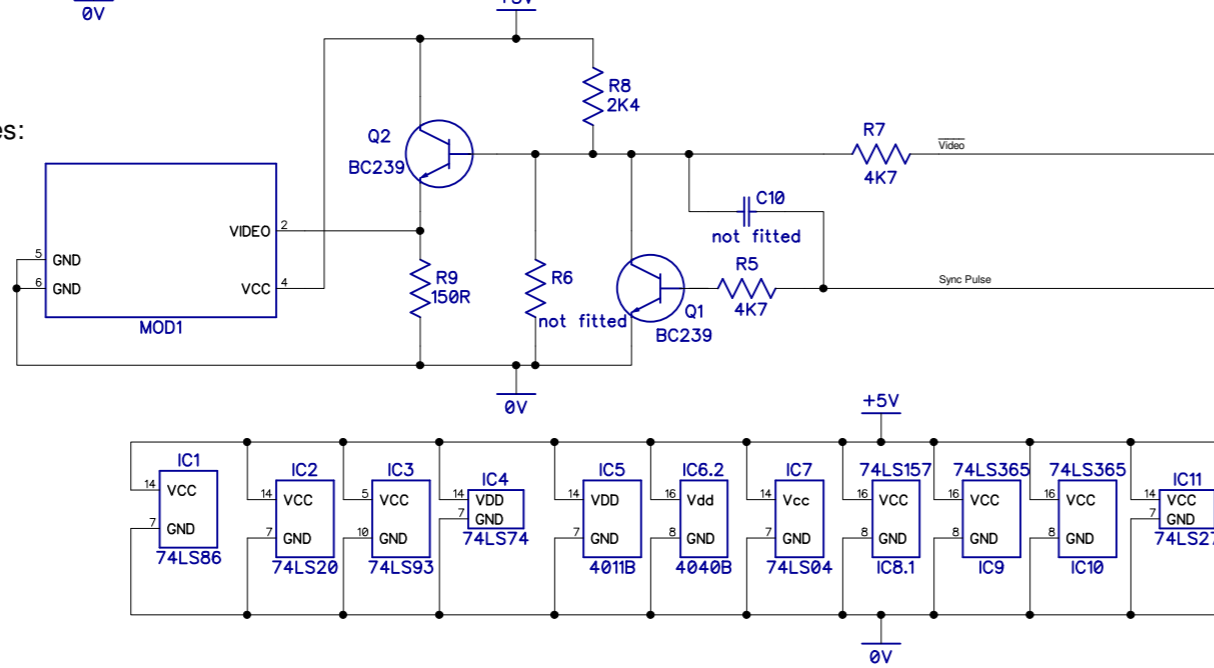


Note: IC1 previously 74L86 is now 74LS86  
 IC9 & 10 previously 80L95 are now 74LS365 (same pinout)  
 LK10 selects XOUT pin from A or B side of PL1

To use with monitor, omit MOD1 and make the following changes:  
 fit R6 - 1K2  
 change R7 to 1K5  
 change R9 to 47R  
 Take video from across R9



Itemref	Quantity	Title/Name, designation, material, dimension etc	Article No./Reference
Redrawn by:	CDO	Filename: Mk14.dch	Date 21st December 2022
Mk14 VDU			Scale
			Sheet 1/1