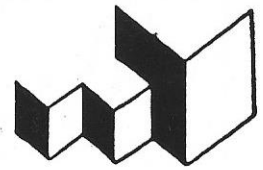


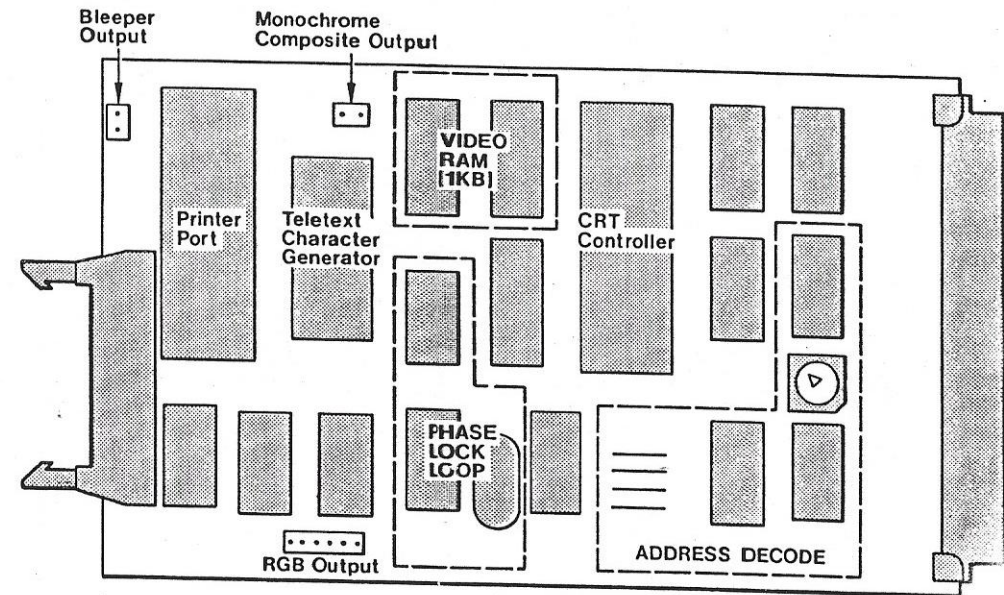
# Control Universal Ltd

Circuit Diagram

1984



## CUBE TELETEXT VDU INTERFACE



- ★ VDU output 40 columns x 25 rows
- ★ 8 colour as RGB or greyscale composite
- ★ 80 x 75 pixel block graphics
- ★ Flash, double height, etc.
- ★ Centronics printer interface as 25 way ribbon connector
- ★ Used in conjunction with EuroBEEB gives the equivalent of MODE 7 on the BBC computer.
- ★ Phase locked loop oscillator design for stable picture.
- ★ Centronics printer port as standard.
- ★ Sound output channel to ceramic bleeper.
- ★ RGB and greyscale composite video outputs.
- ★ Full address decoding allows use in any area of memory.

The screen display is held in 1KB of RAM, which is mapped on the memory of the host processor.

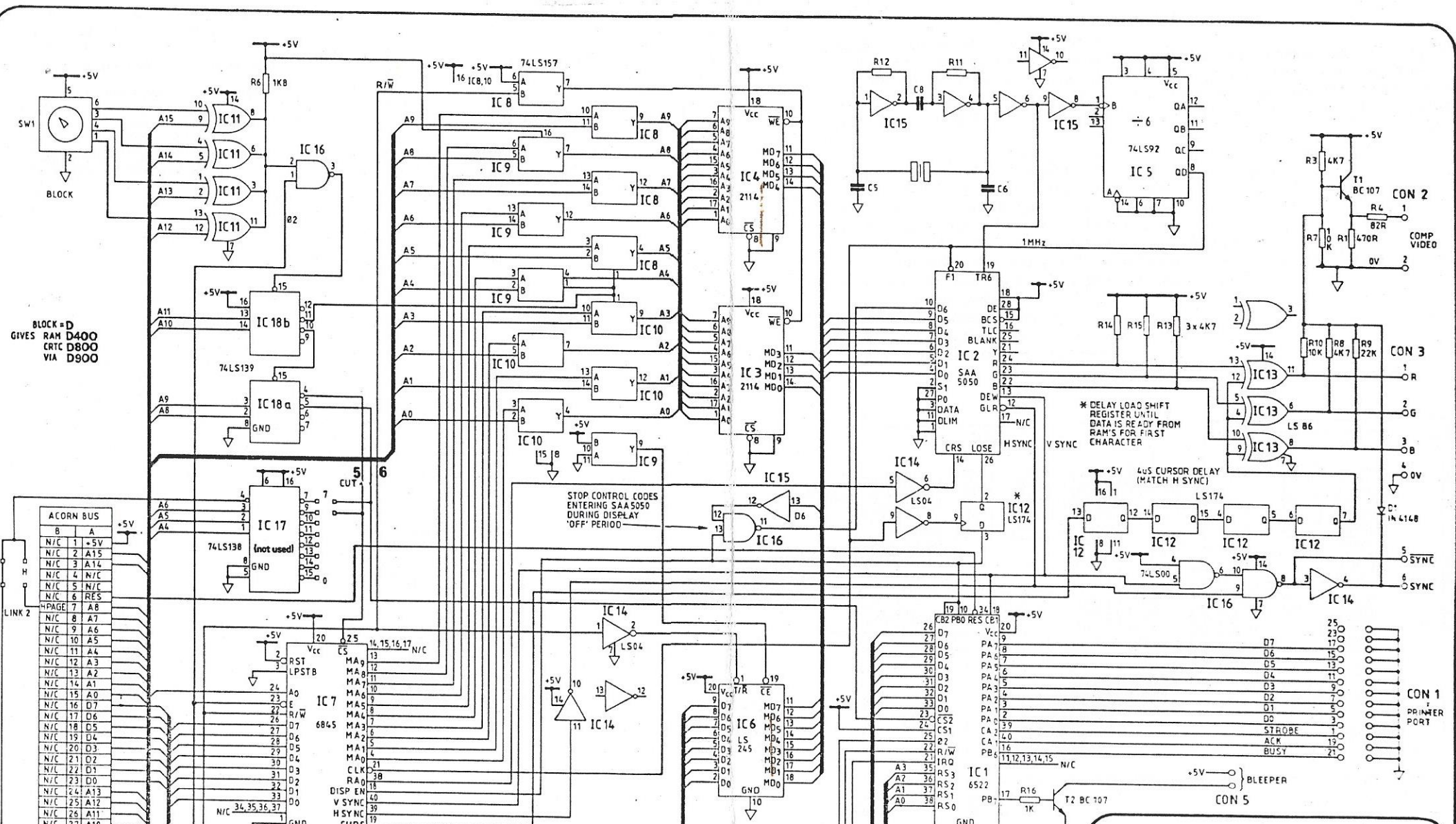
- This allows fast direct screen access. The hardware scroll facility permits fast smooth scrolling of text. Control characters are used to change the colour of subsequent characters, to change them to graphics mode or to be set a special feature such as flash or double height. Control characters appear on the screen as blank spaces.

**Control Universal Ltd**  
**The Hardware House**

Manufacturers and Distributors of  
Microcomputer Systems and Components

Unit 2 Andersons Court, Newnham Road,  
Cambridge CB3 9EZ.  
Tel. Cambridge (0223) 358757  
Telex Service 995801 GLOTX-G Quote C-13

Distributed by



**CUBE TELETEXT VDU INTERFACE**

Control Universal Limited

Unit: 2 Ahdersons Court  
Newnham Road  
Cambridge CB3 9EZ  
Tel: (0223) 358757