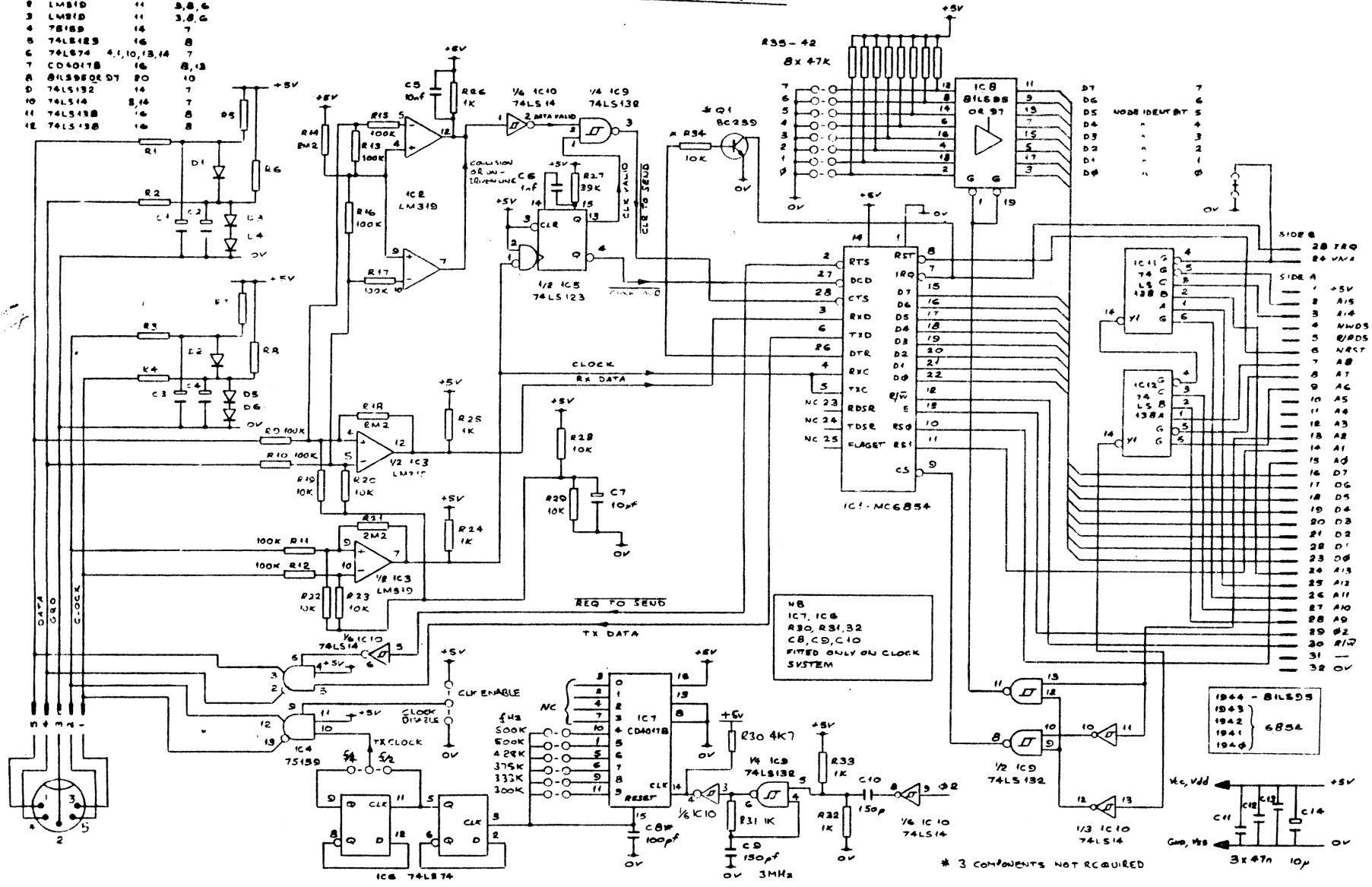


Econet Eurocard ci uit diagram. 200,024

IC1	MC68854	+5V	OV
2	LM319	14	1, 2, 3, 6
3	LM319	14	3, 6, 7
4	7815B	14	7
5	74LS13B	16	8
6	74LS74	4, 10, 13, 14	7
7	CD4017B	16	8, 13
8	81LS980R D7	20	10
9	74LS192	14	7
10	74LS14	8, 16	7
11	74LS13B	16	8
12	74LS13B	16	8



Econet Eurocard circuit diagram. 200,024

ISSUE	1	1	© COPYRIGHT 1981 ACORN COMPUTERS LTD 4-A MARKET HILL CAMBRIDGE TEL 0223-312772	DRN	GWDS	TITLE	ECONET NODE CIRCUIT DIAGRAM EURO CARD VERSION	REF	200,024
DATE	19-1-81	27-1-81		DATE	14-1-81				ACORN COMPUTERS
		CRT							