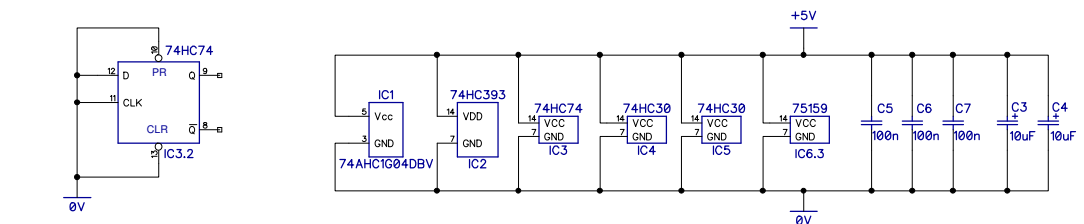
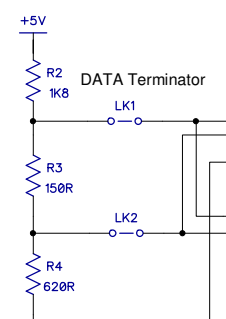
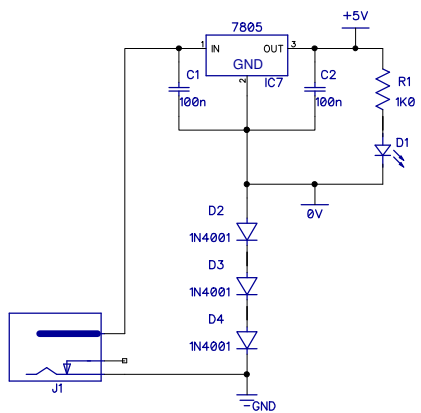
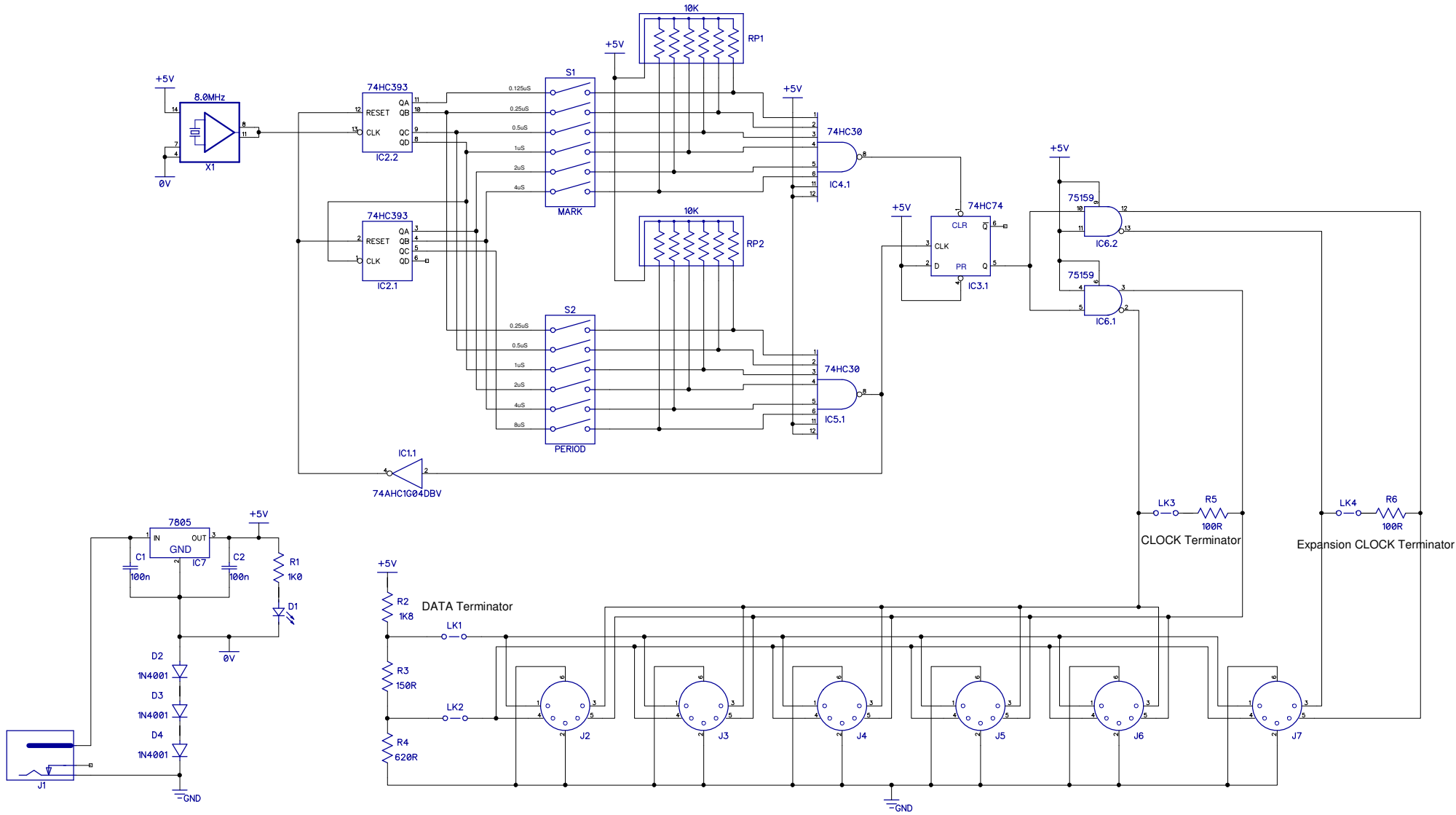


A B C D E F G H



Note GND is at -2V wrt 0V

Itemref	Quantity	Title/Name, designation, material, dimension etc	Article No./Reference
Design by:	CDO	Filename: Econet ClockTerminatorHub.dch	Date: 14 Jan 2022
Econet Type 2 Clock/Terminator/Hub Based on SJ Research 8305.1 Iss 4 'Network Clock Box and Line Powered Terminator'			Scale 1:1
			Sheet 1/1