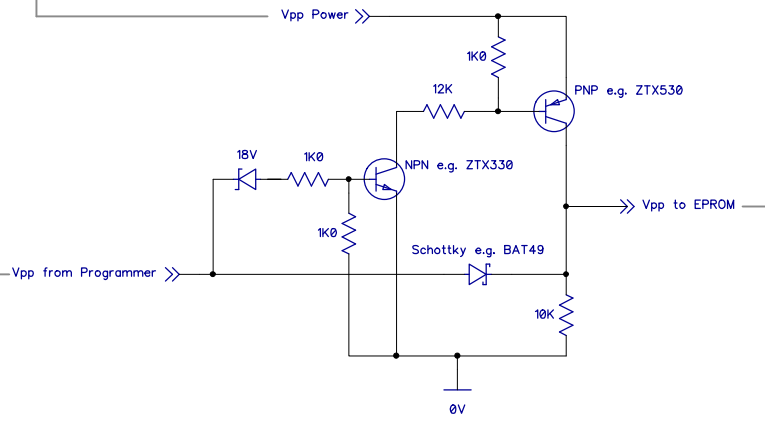
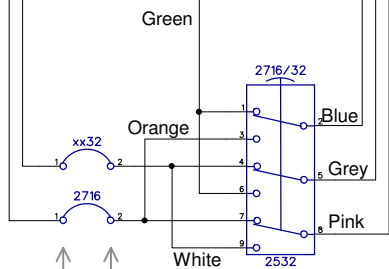


	2716	2532	2732
Pin 18	CE	A11	CE
Pin 20	OE	OE	Vpp
Pin 21	Vpp	Vpp	A11



Switch selects between 2716/32(up) or 2532(down) pin configurations  
On programmer select 2732 for 2532.

To use programmer 'native' i.e. with low voltage Vpp's fit both links.

To use with higher Vpp from TL497 fit plug in place of appropriate link and apply external 5 to 10V.

Itemref	Quantity	Title/Name, designation, material, dimension etc	Article No./Reference		
Designed by CDO			File name	Date Nov 2019	Scale 1:1
TL866 EPROM Programmer Vpp Adapter				V1.0	Sheet 1/1